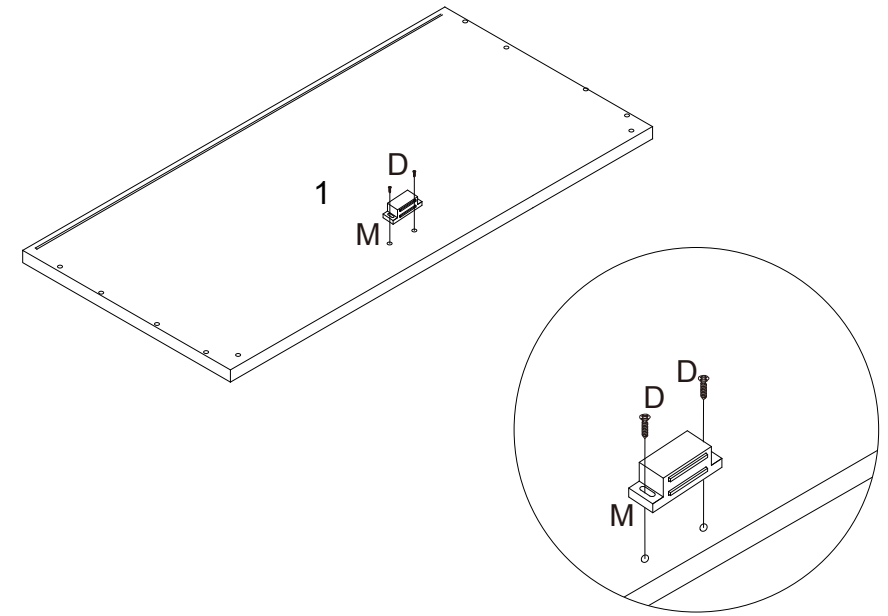


1

On piece 1, secure the catch (M) using screws (D). Use the pre-drilled holes for guidance.

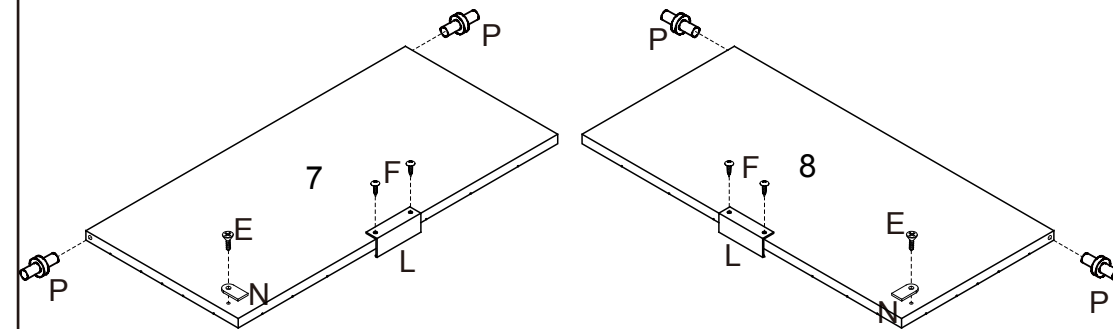


A		8 PCS
B		8 PCS
C		6 PCS
D		2 PCS
E		2 PCS
F		6 PCS
G		6 PCS
H		4 PCS
I		1 PC
J		2 PCS
K		2 PCS

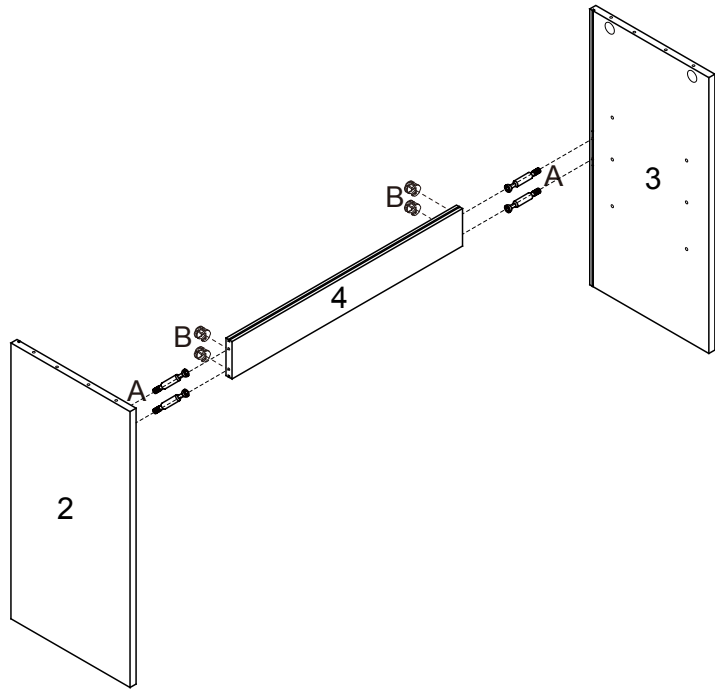
L		2 PCS
M		1 PCS
N		2 PCS
O		8 PCS
P		4 PCS
Q		4 PCS

2

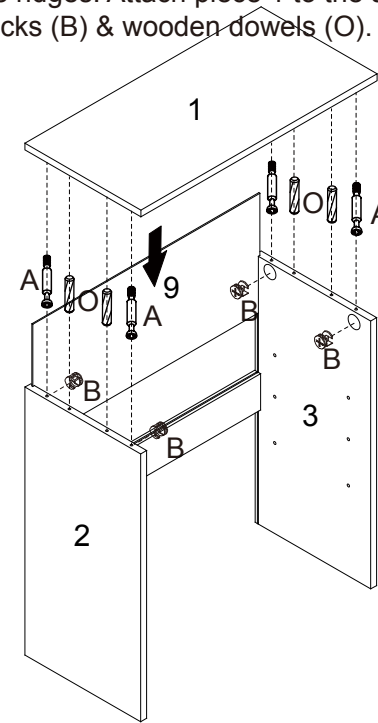
On piece 7 & 8, attach the plates (N) using screws (E), attach the door handles (L) using screws (F), attach bar hinges (P) as per drawings.



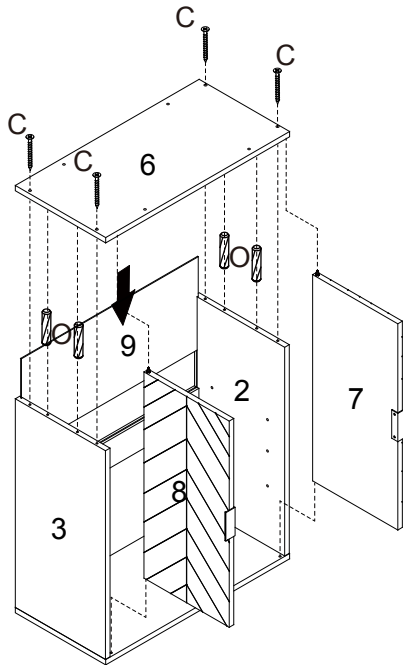
**3** Attach piece 2 & 3 to piece 4 using cam dowels (A) and cam locks (B).



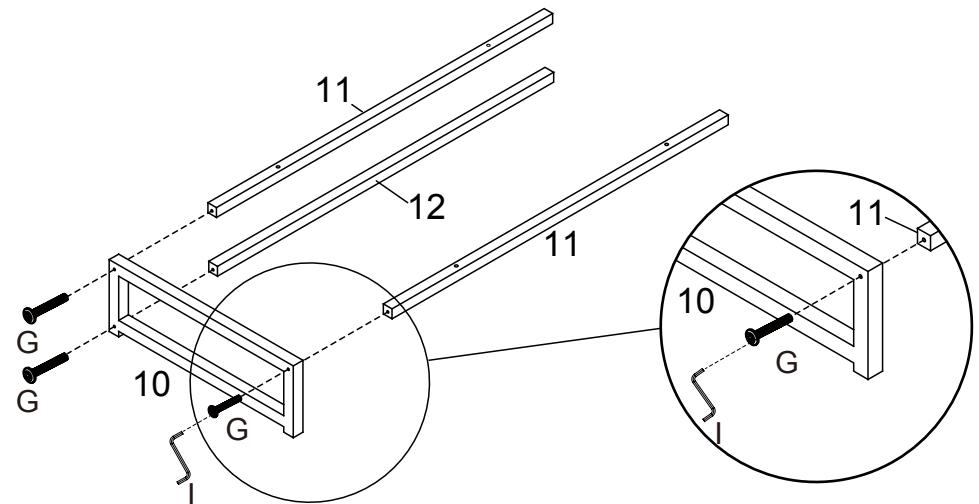
**4** Slot piece 9 into the ridges. Attach piece 1 to the section using cam dowels (A), cam locks (B) & wooden dowels (O).



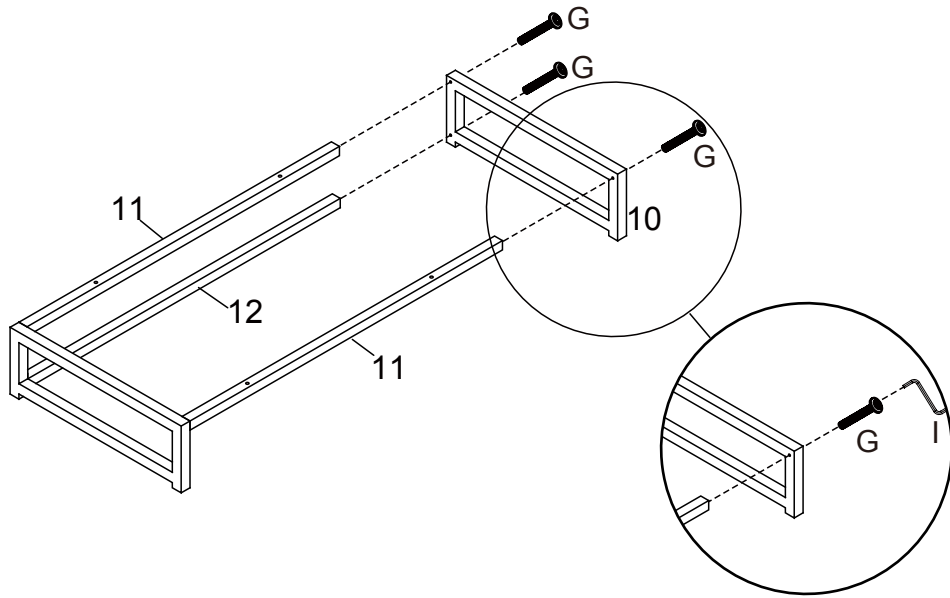
**5** Turn the section upside down, slot piece 9 into the ridges. Attach piece 6 to the section using screws (C) & wooden dowels (O). Connect door 7 & 8 using bar hinges.



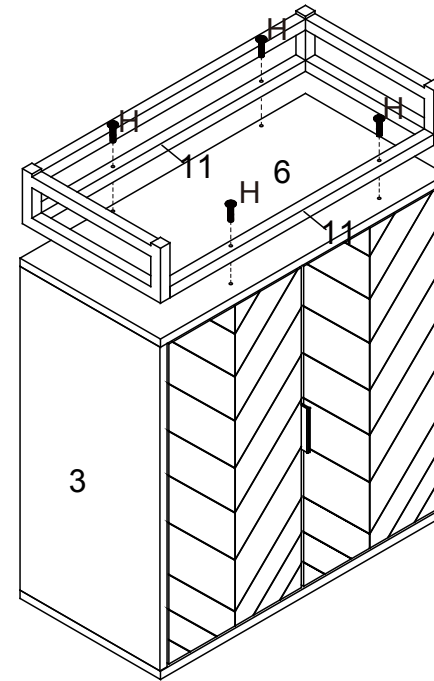
**6** Attach piece 11 & 12 to piece 10 using screw (G) with tool (I).



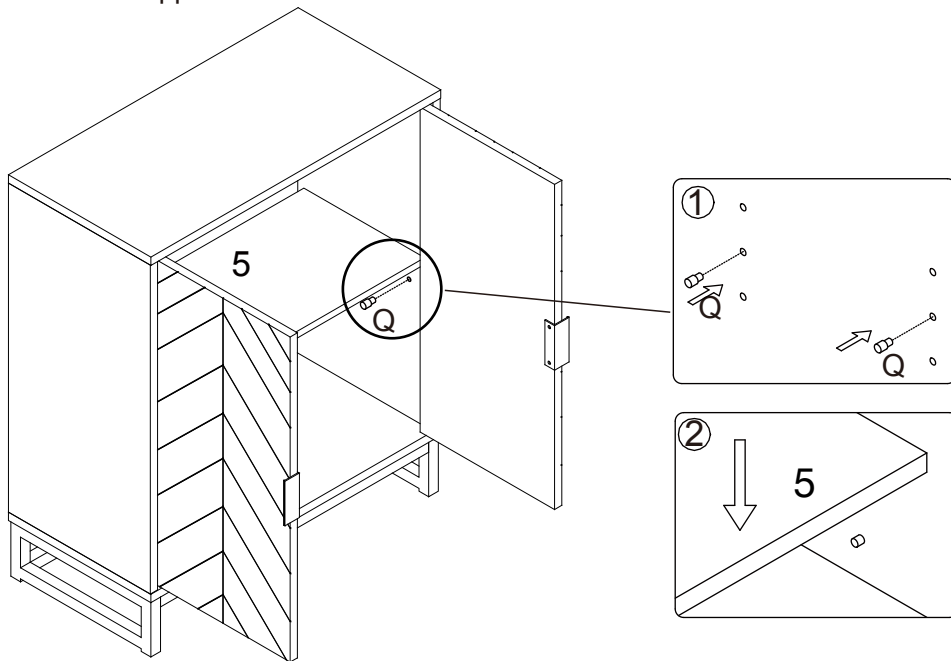
**7** Attach the metal base to piece 10 using screw (G) with tool (I).



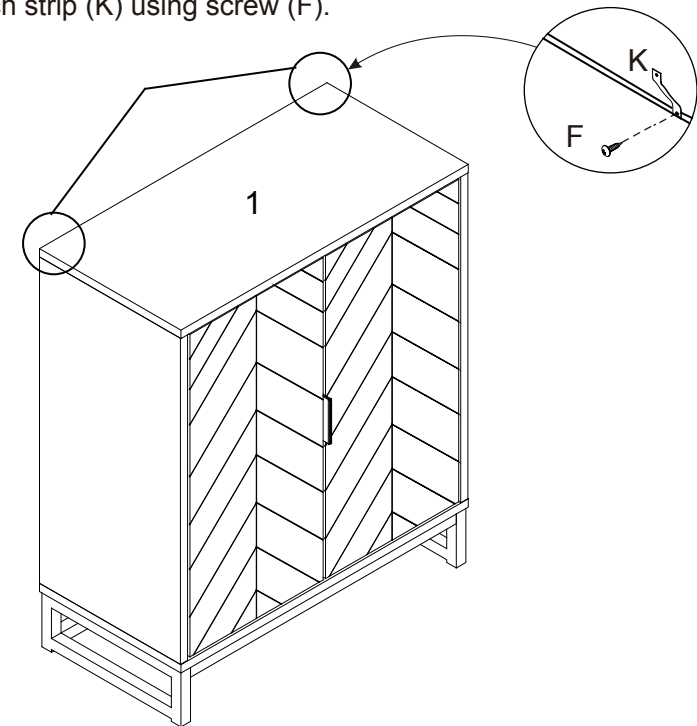
**8** Attach 2 section using screw (H) with tool (I).



**9** Put shelf support (Q) into the hole on piece 2 & 3, put the piece 5 on the shelf support.

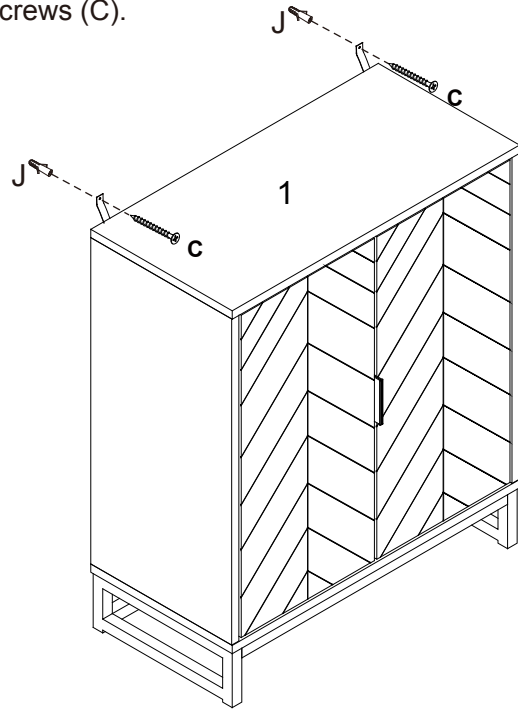


**10** Attach strip (K) using screw (F).



# 11

Secure the unit to a wall in your chosen location using wall plugs (J) and screws (C).



# 12

The unit should now be assembled and ready to use

